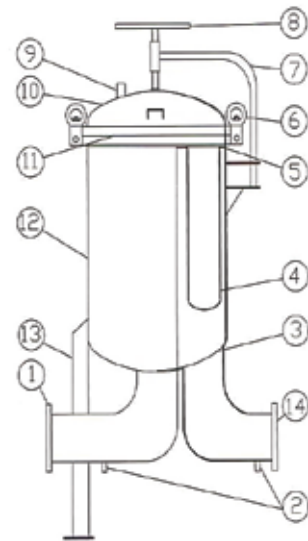


Multiple Bag Filter Housing

Trusted Filtration Solutions

Specifications

Material	304SS, 316L SS
Finishing	Mirror polish, sand blast
Vent	¼" NPT (F)
Drain	½" to 2" NPT (F)
Max. Pressure	150psi



Typical Applications

- Paints and ink pre filtration
- Factory water
- Lubricating oil production
- Resin and solvent filtration
- Juice filtration
- Cooling water tower

No. of bags	Inlet/Outlet (Inches)	Flow Rate(m3/hr) *estimated	Volume (Litre)
2	2", 3"	90	116
3	3", 4"	135	188
4	3", 4"	180	244
5	4", 5"	225	278
6	4", 5"	270	278
7	5", 6"	315	488
8	5", 6"	360	488
9	6", 8"	405	564
10	6", 8"	450	622

No.	Components
1	Inlet
2	Drain
3	Bottom lid
4	Strainer
5	Bag support plate
6	Swing bolt & nut
7	Davit
8	Wheel handle
9	Vent
10	Top lid
11	O-Ring
12	Body
13	Leg
14	Outlet

Contact

KETCOTEC (M) SDN. BHD.
 6, Jalan 3/5,
 Bandar Baru Selayang,
 68100 Batu Caves Selangor,
 Malaysia

✉ sales@filter.com.my

☎ +603 - 61363211

☎ +6012 - 3013211



Scan me