

Single bag filter housing

Clamp Closure

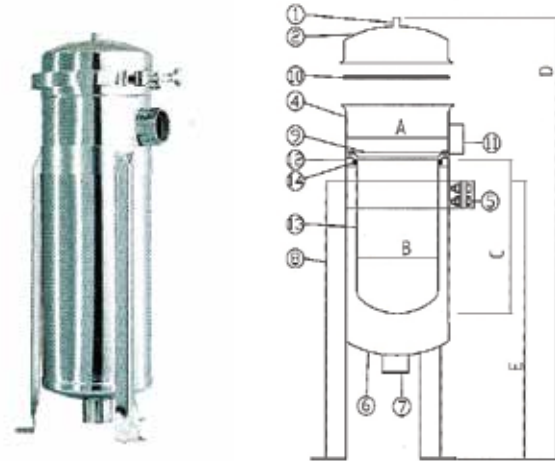
Trusted Filtration Solution

Specifications

Material	304SS, 316L SS
Finishing	Mirror polish, sand blast
Inlet/Outlet	2" Flange or NPT (F)
Vent	1/4" NPT (F)
Max. Pressure	100psi (7bar)

Typical Applications

Paints & Ink pre-filtration
 Factory water
 Lubricating oil production
 Resin & Solvent filtration
 Juice filtration
 Cooling water tower



Model	Bag Size	Dimension (mm)					Volume (litre)
		A	B	C	D	E	
KSBHV1	7" Dia. X 17" L	Ø230	170	350	740	500	17
KSBHV2	7" Dia. X 32" L	Ø230	170	730	1090	700	28

No.	Components	Qty.
1	Vent	1
2	Top lid	1
3	Clamp	1
4	Body	1
5	Body clamp nut	2
6	Bottom lid	1
7	Outlet	1
8	Leg	3
9	Bag press	1
10	O-Ring	1
11	Inlet	1
12	Basket support	1
13	Basket	1
14	Basket seal	1

Contact

KETCOTECH (M) SDN. BHD.
 6, Jalan 3/5,
 Bandar Baru Selayang,
 68100 Batu Caves Selangor,
 Malaysia

sales@filter.com.my

+603 - 61363211

+6012 - 3013211

